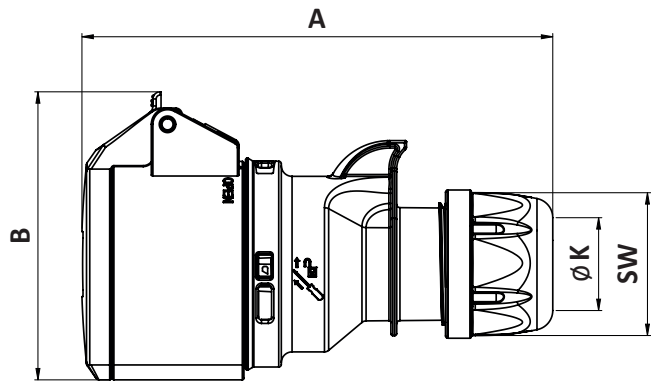


POWtec CEE Connectors, Black IP44



- Splash-proof, IP44
- Hinged lid with thumb grip
- Screw terminals
- Quick release locking system
- Brass contacts



Maximum Conductor Cross-section		
Current Rating	Flexible	Solid
16A	4mm ²	6mm ²
32A	6mm ²	10mm ²

Dimensions (mm)						
Poles	3	4	5	3	4	5
Current	16A			32A		
A	133	138	145	161	161	168
B	76	80	89	91	94	100
K	6-15	6-15	8-16	11.5-20	11.5-20	11.5-22
SW	42	42	42	50	50	50
Weight (g)	134	161	188	228	244	270

Voltage		230 V~	400 V~
Frequency		50/60 Hz	50/60 Hz
Designation		3p = 6h 4p/5p = 9h	3p = 9h 4p/5p = 6h
Current	Poles	Part No.	Part No.
16A	3	POWtecS-316B-T044-B	-
16A	4	-	POWtecS-416R-T044-B
16A	5	-	POWtecS-516R-T044-B
32A	3	POWtecS-332B-T044-B	-
32A	4	-	POWtecS-432R-T044-B
32A	5	-	POWtecS-532R-T044-B